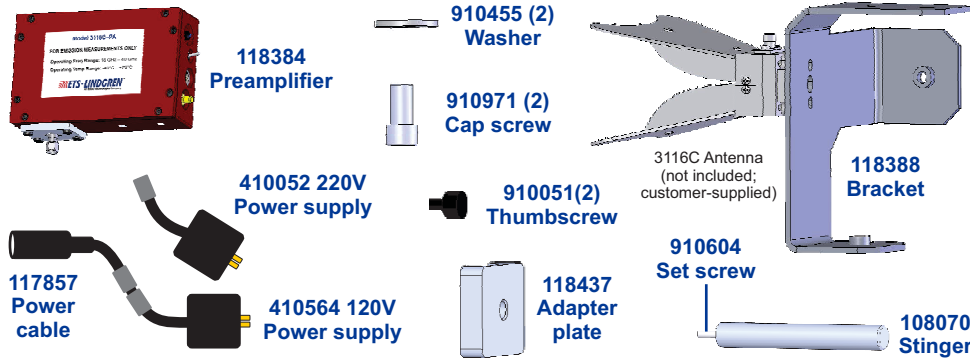


118620 Retrofit Kit Parts - To retrofit an existing 3116C antenna with the 3116C-PA preamplifier.



Product Information Bulletin

See the ETS-Lindgren *Product Information Bulletin* included with your shipment for the following:

- Warranty information
- Safety, regulatory, and other product marking information
- Steps to receive your shipment
- Steps to return a component for service
- ETS-Lindgren calibration service
- ETS-Lindgren contact information

Safety Information



ONLY QUALIFIED PERSONNEL should install, operate, or service this equipment.

For complete safety information, see the *Product Information Bulletin*.

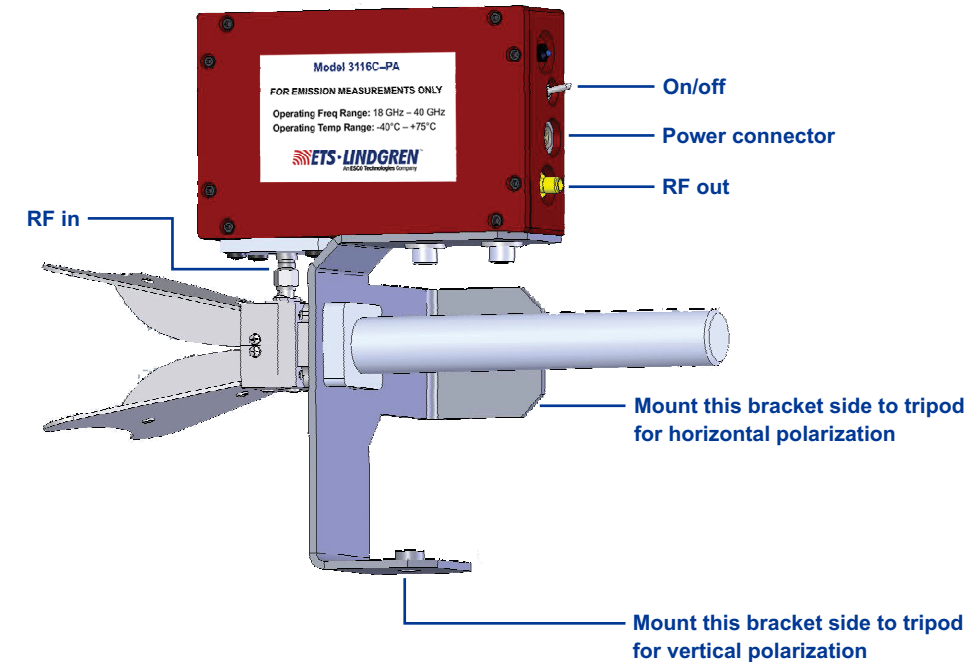
Warranty Information

For complete warranty information, see the *Product Information Bulletin*.



The **ETS-Lindgren Model 3116C-PA** is designed to amplify a signal in the 18 GHz to 40 GHz frequency range.

For emission measurements only.



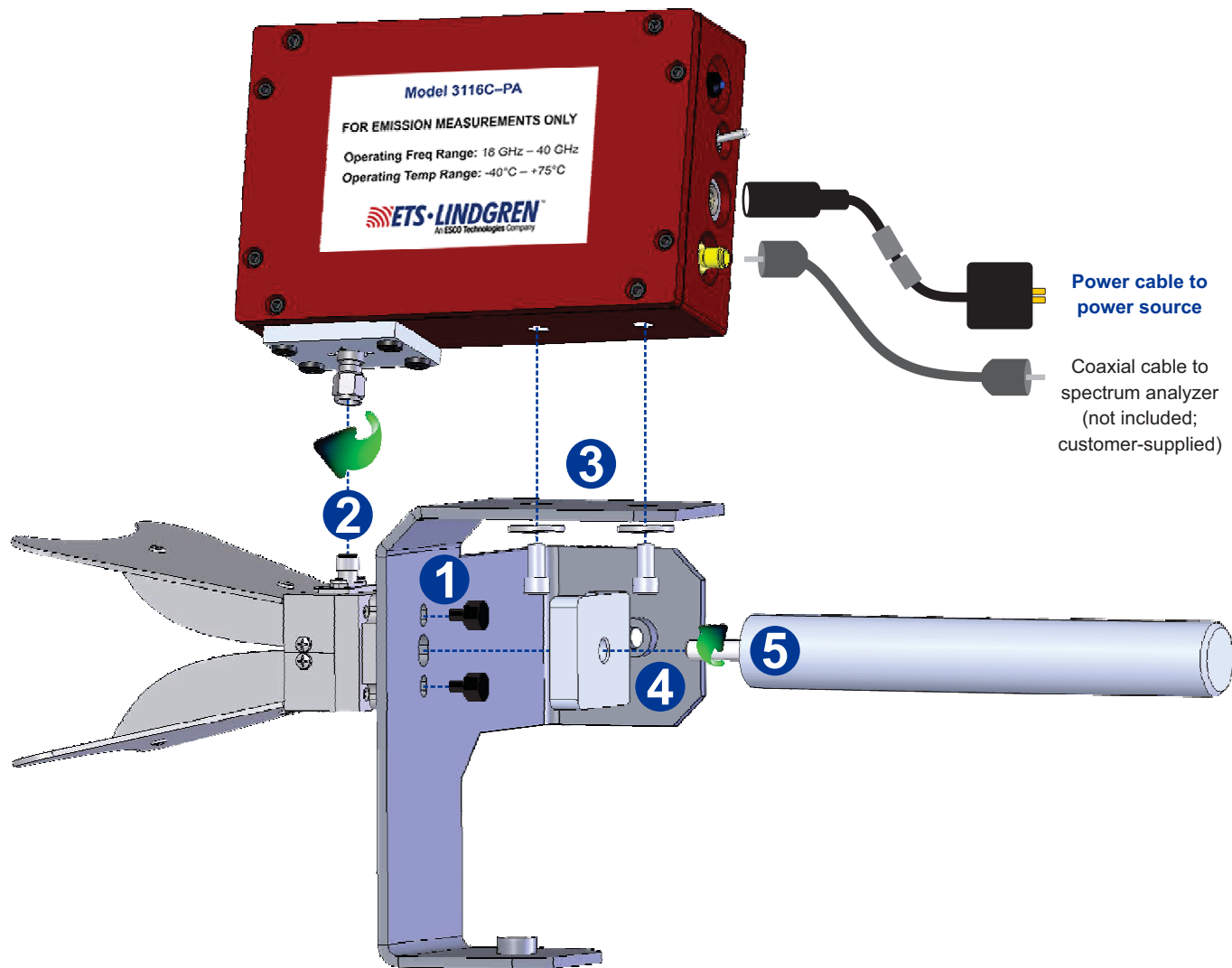
The Model 3116C-PA includes a 120V power supply, a 220V power supply, and a power cable that can be used with either power supply.

- 120V Power Supply, part# 410564
- 220V Power Supply, part# 410052
- Power Supply Cabling, part# 117857

You will assemble the power supply cable by connecting the two cable lengths together.

Note: ETS-Lindgren may substitute a similar part with the same functionality for another part.

 Before placing into service, read **Safety Information** on the back page of this document.



Preamplifier Electrical Specifications

Operating Frequency Range	18 GHz – 40 GHz
Amplifier Gain (Typical)	35 dB MIN
Maximum Continuous Input	-30 dBm
Power Output	+8 dB MIN @ 1 dB PT
Operating Temperature Range	-40°C to +75°C (-40°F to +167°F)
DC Power Supply	+12 VDC – +15 VDC 450 mA NOM

Preamplifier Physical Specifications

Connectors	<ul style="list-style-type: none"> • RF input, K male • RF output, K female • Power supply, 2-pin LEMO®
Dimensions	<ul style="list-style-type: none"> • Length: 13.97 cm (5.5 in) • Height: 8.89 cm (3.5 in) • Depth: 3.86 cm (1.52 in)