

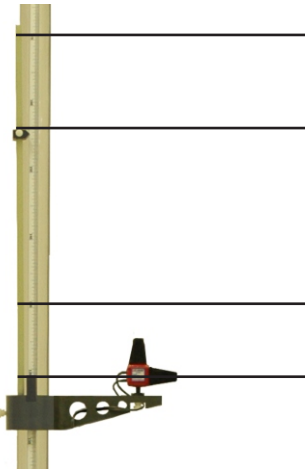
Probe Stand Operation

The support rod is marked with positions that correspond to the sensor located in each field probe, and the probe stand tube is graduated to easily measure the distance to the floor.

1. Attach the field probe to the probe carrier using the 1/4–20 x 3/4-inch thumbscrew.
2. Align the scale pointer to the mark for the field probe you are using, and confirm the distance is between the estimated minimum and maximum provided in the chart.

Estimated Distance from Element to Floor

	Minimum	Maximum
--	---------	---------

	HI-4433 sensor position	800 mm 31.5 in	2438 mm 96 in
	HI-6153, HI-6053, HI-4453, HI-4450 sensor position	673 mm 26.5 in	2438 mm 96 in
	HI-4422 sensor position	318 mm 12.5 in	2438 mm 96 in
	HI-6122, HI-6023, HI-6022, HI-6105, HI-6006, HI-6005 sensor position	292 mm 11.5 in	2438 mm 96 in

Safety Information



Note: Denotes helpful information intended to provide tips for better use of the product.



CAUTION: Denotes a hazard. Failure to follow instructions could result in minor personal injury and/or property damage. Included text gives proper procedures.



WARNING: Denotes a hazard. Failure to follow instructions could result in SEVERE personal injury and/or property damage. Included text gives proper procedures.



ONLY QUALIFIED PERSONNEL should install, operate, or service this equipment.

For safety information, see the *EMC Field Probes* user manual.

Warranty Information

For warranty information, see the *EMC Field Probes* user manual.



USA Headquarters
1301 Arrow Point Drive | Cedar Park, TX 78613 | Phone: +1.512.531.6400

Please see www.ets-lindgren.com for a list of all ETS-Lindgren offices.

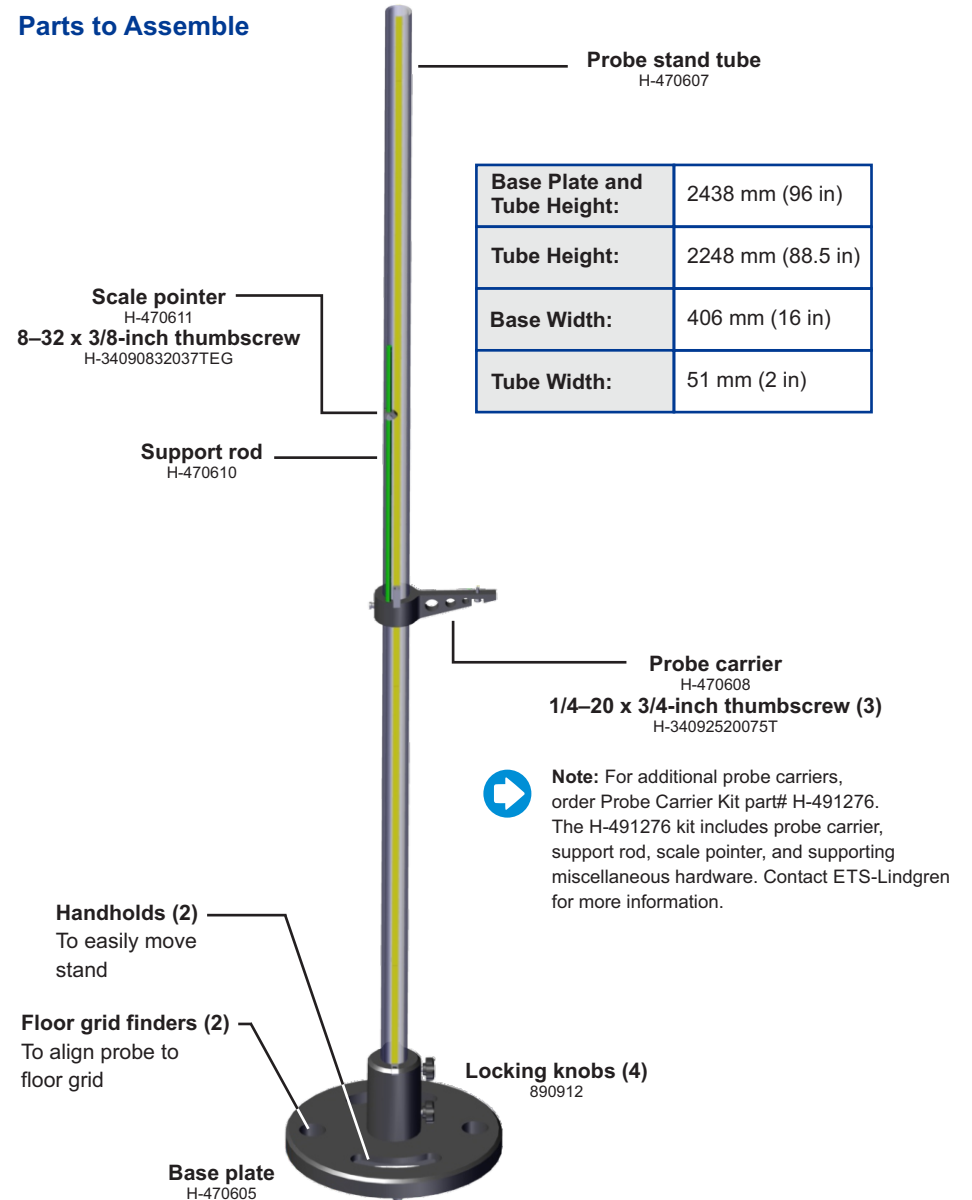
© Copyright 2006–2015 by ETS-Lindgren Inc. All Rights Reserved. No part of this document may be copied by any means without written permission from ETS-Lindgren Inc.

The *ETS-Lindgren* logo is a registered trademark of ETS-Lindgren Inc.



H-491269 Probe Stand Assembly

Parts to Assemble



Base Plate and Tube Height:	2438 mm (96 in)
Tube Height:	2248 mm (88.5 in)
Base Width:	406 mm (16 in)
Tube Width:	51 mm (2 in)



Note: For additional probe carriers, order Probe Carrier Kit part# H-491276. The H-491276 kit includes probe carrier, support rod, scale pointer, and supporting miscellaneous hardware. Contact ETS-Lindgren for more information.



Note: ETS-Lindgren may substitute a similar part with the same functionality for another part.

! CAUTION: Before assembling, read *Safety Information* on the back page of this document.

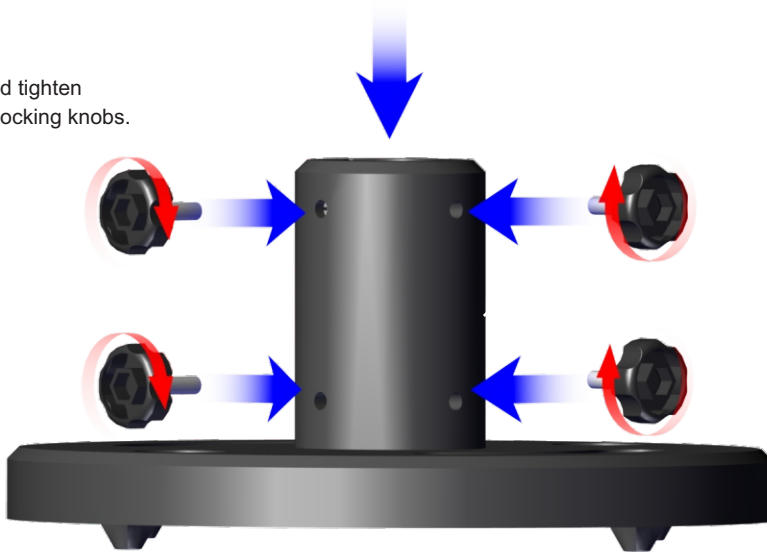
Assembly Instructions

▶ **Note:** Incorrect tube placement or an uneven base can cause inaccurate measurements. Fully insert the probe stand tube into the base plate so that the bottom of the tube rests evenly on the floor or surface. Additionally, all rubber feet on the bottom of the base plate should rest evenly on the floor or surface.

1. Insert the probe stand tube into the base plate.

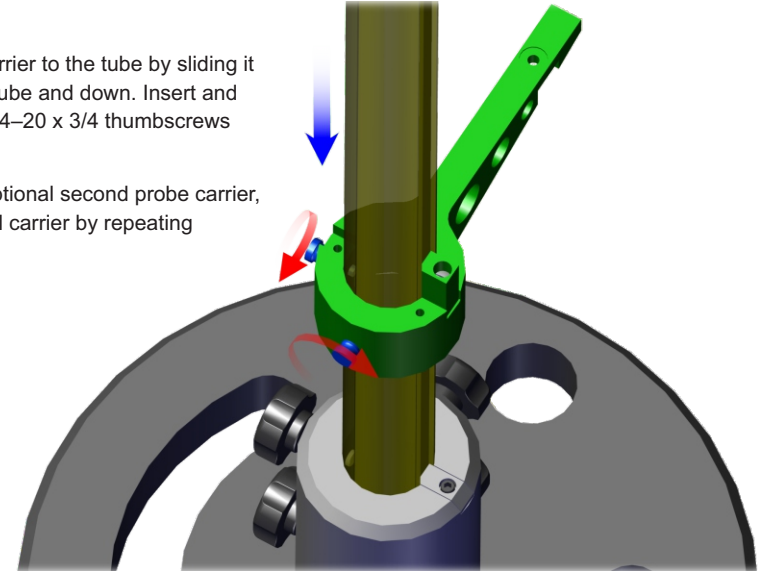


2. Insert and tighten the four locking knobs.

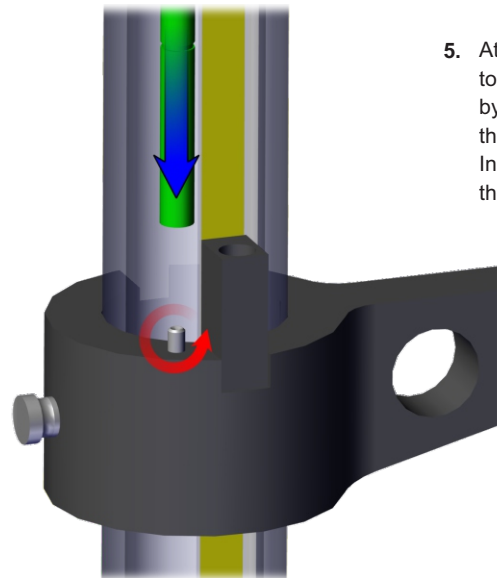


3. Attach the probe carrier to the tube by sliding it over the top of the tube and down. Insert and tighten two of the 1/4–20 x 3/4 thumbscrews into the carrier.

If you ordered an optional second probe carrier, attach the additional carrier by repeating this step.



4. Attach the support rod to the carrier by rotating it onto the set screw.



5. Attach the scale pointer to the support rod by sliding it over the top of the rod and down. Insert and tighten the 8–32 x 3/8-inch thumbscrew.

